

## X42 单倾永磁吸盘 SINGLE SINE PLATE MAGNETIC CHUCK

### 产品主要用途和特性

用途：适用于各种平面磨床、放电加工机进行单面角度的精密磨削加工小工件。

特点：正弦磁台适用各种平面磨床，放电加工机进行单面角度的精密磨削加工。工艺经过特殊处理，调整精度高，选用优质材料，吸力强，剩磁少，磁力分布均。

### The main uses and characteristics

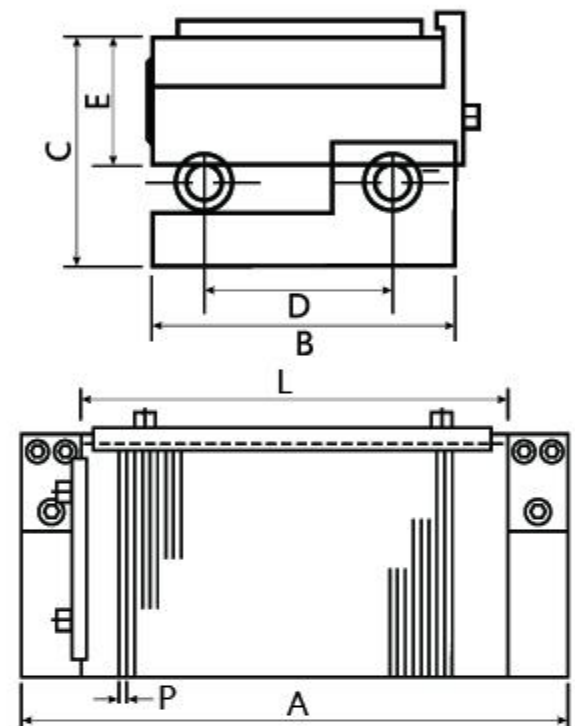
Application : Used for precise grinding processing with different kind of surface grinders, EDM machines.

Features : Special treatment makes high precision, good quality material makes it powerful, small residual magnetism, well distributed magnetic force.

型号 Model	外形尺寸 (mm) Shape Size						磁极间距 (P) Pole Pitch	可倾度 Can Inclination	净重 (kg) Net Weight
	L	B	C	D	E	A			
X42-10175	175	100	86	75	48	225	1+3 0.5+1 0.5+1.5	0~60°	11.5
X42-1515	150	150	86	100	48	200			15
X42-1530	300	150	86	100	48	350			32
X42-12525	250	125	86	75	48	300			19.5

注：以上产品规格和尺寸仅供参考，以本公司实际产品为准，变更时恕不另行通知

The above products specifications and dimensions are for reference only, shall be subject to the actual product by our company, are subject to change without prior notice



## X43 双倾永磁吸盘 DOUBLE SINE PLATE MAGNETIC CHUCK

### 产品主要用途和特性

用途：适用于高精度角度磨削，可加工前、后或左、右角度磨削。

特点：采用优质钢材，硬度高，角度精。

### The main uses and characteristics

Application : Applied to high-precision angle grinding processing, double way sine plate, can grind two way angle at same time.

Features : Use high quality steel, high hardness and high precision angles.

型号 Model	外形尺寸 (mm) Shape Size					磁极间距 (P) Pole Pitch	可倾度 Can Inclination	净重 (kg) Net Weight
	L1	L2	H	B1	B2			
X43-10175	100	225	110	75	100	0.5+1.5 1+3 0.5+1	0~60° 0~45°	12.6
X43-1515	100	200	115	100	150			17
X43-1530	150	300	115	100	150			34.5
X43-12525	150	250	115	100	125			23

注：以上产品规格和尺寸仅供参考，以本公司实际产品为准，变更时恕不另行通知

The above products specifications and dimensions are for reference only, shall be subject to the actual product by our company, are subject to change without prior notice

