

## WM3 两用磁性焊接固定器 DUAL-USE WELDING MAGNET

### 产品主要用途和特性

用途：适用于五金精加工及建筑工业的铁件焊接定位。

特点：通过外部吸持工件，形成一个直角，可以很方便的在直角内部焊接。也可以用在内角60°固定工件。

### The main uses and characteristics

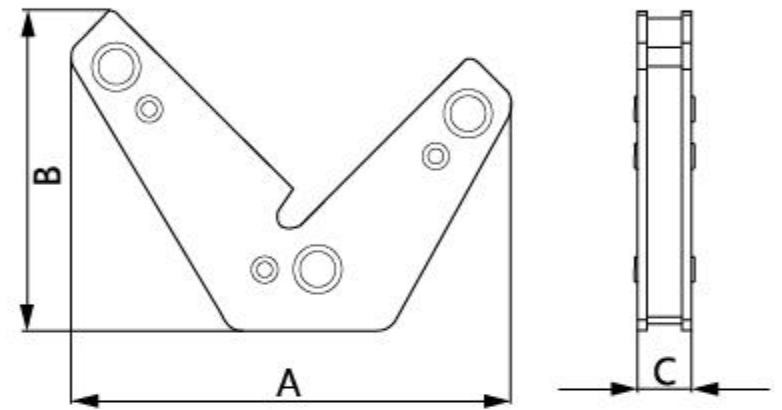
Application : Ideal for ferrous metal holding for welding jobs in hardware processing and construction industry.

Features : 1. Create 90° corners by holding from the outside, providing you with an unobstructed area for inside tack welds.  
2. Use its outer edges to set up materials at 60°.

型号 Model	规格 (mm) Dimension	角度 Angles	净重 (g) Net Weight
WM3-6090S	100×73×12	60°/90°	138g/个

注：以上产品规格和尺寸仅供参考，以本公司实际产品为准，变更时恕不另行通知

The above products specifications and dimensions are for reference only, shall be subject to the actual product by our company, are subject to change without prior notice



焊接磁铁系列

## WM4 多角度磁铁焊接固定器 MULTI-ANGLE WELDING MAGNET

### 产品主要用途和特性

用途：适用于五金精加工及建筑工业的铁件焊接定位。

特点：1. 该产品具有30°/60°边角以及标准的45°角和直角。  
2. 中心的圆孔使它更容易拿起。  
3. 全部磁力通过那两个小圆孔结合起来，把更多的额外的力量加到工作中去。

### The main uses and characteristics

Application : Ideal for ferrous metal holding for welding jobs in hardware processing and construction industry.

Features : 1. This products has 30°/60° edge as well as the standard 45°and right angle (90°) edge.  
2. The center hole makes it easier to handle.  
3. There are two small riveted holes for linking magnets together to add extra strength to the job.

型号 Model	规格 (mm) Dimension	角度 Angles	净重 (g) Net Weight
WM4-304590S	59×50×12	30°/60°/45°/90°	220 (对)
WM4-304590M	110×95×18	30°/60°/45°/90°	460
WM4-304590L	150×130×18	30°/60°/45°/90°	780

注：以上产品规格和尺寸仅供参考，以本公司实际产品为准，变更时恕不另行通知

The above products specifications and dimensions are for reference only, shall be subject to the actual product by our company, are subject to change without prior notice

