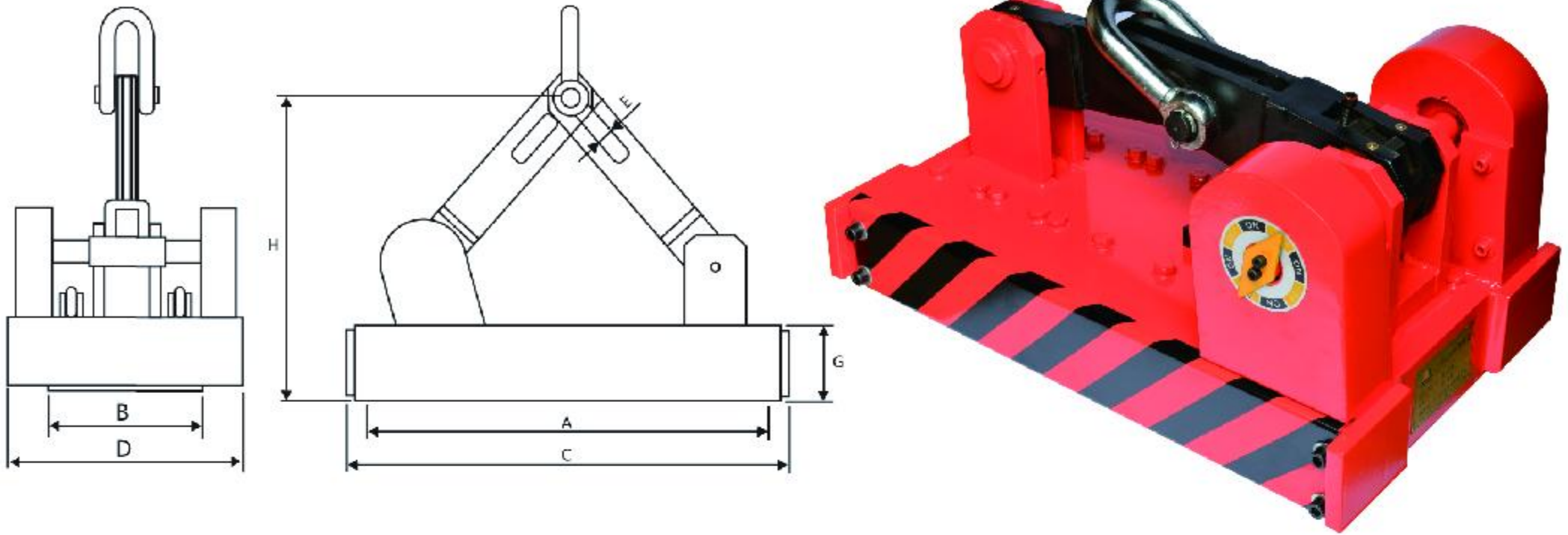


# LS2 自动永磁起重器 AUTOMATIC PERMANENT MAGNETIC LIFTER



永磁起重器系列

## 产品主要用途和特性

用途：主要在造船厂、铆焊厂、钢结构件厂、仓库、车间、货场等与各种起重设备配套使用，既可单台使用，又可多台组合吸运大而长的铁磁性材料的工件

特点：该产品具有结构轻巧、操作方便、吸持力强、不耗电和安全可靠等特点，有助于改进装卸搬运作业的工作条件，提高其劳动生产率作为一种高效、安全、节能的新型吊装工具。

## The main uses and characteristics

Application : Mainly in the shipyard, maohan plants, steel file, warehouse, workshop, storehouse, etc and all kinds of lifting equipment, as well as a single use, and can be combined more than one suction big and long ferromagnetic material artifacts

Features : 1. Automatically self-sucking and discharging.

2. No human operation can be achieved

3. Able to combine several together to lift against much longer and bigger steel plate.

4. An ideal alternative to electromagnet in workplace like freight yard, steel plate pretreatment line and cutting line.

5. Featured in high efficiency, safety, energy saving, significantly increase productivity and work efficiency.

型号 Model	额定起重力 (kg) Rated Lifting Capacity	外形尺寸 (mm) Shape Size							试验最大拉托脱力(kg) Test Max Pull Off Force	重量(kg) Weight
		A	B	C	D	E	F	G		
LS2-0.5	500	510	180	582	352	26	46	92	1750	130
LS2-1	1000	510	260	582	432	26	50	92	3500	194
LS2-1.5	1500	664	260	736	432	26	50	92	5500	220
LS2-2	2000	690	330	760	500	26	50	112	6500	249
LS2-3	3000	802	394	875	578	30	56	125	9000	380
LS2-5	5000	964	452	1040	666	34	80	141	15000	600

注：以上产品规格和尺寸仅供参考，以本公司实际产品为准，变更时恕不另行通知

The above products specifications and dimensions are for reference only, shall be subject to the actual product by our company, are subject to change without prior notice