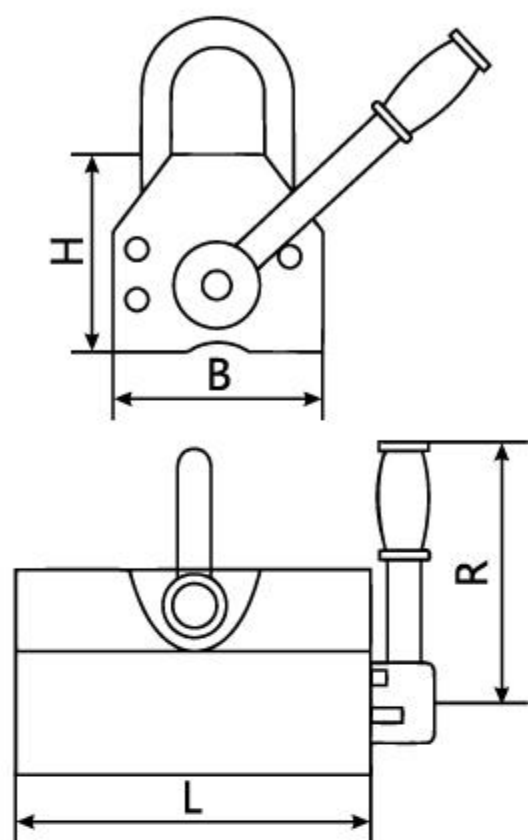


LS1手动永磁起重器

MANUAL PERMANENT MAGNETIC LIFTER

永磁起重器系列



产品主要用途和特性

用途：广泛应用于机械加工、模具制造行业。

特点：1. 采用高性能永磁材料，吸持力强，独特磁路设计，剩磁几乎为零。2. 安全系数高，最大拉脱力达到额定起重力的3.5倍。3. 手柄开关附有安全钮，可单手操作.更安全更方便。4. 起重器底面“V”形槽设计，可起吊相对应的圆钢、钢板。5. 不用电，磁力恒久，使用安全，并可以在野外作业。

The main uses and characteristics

Application : Widely used in machining and mould processing industry.

Features : 1. Using high-performance permanent magnetic materials, with strong magnetic force, unique circuit design , remanence almost zero.
 2. High safety factor, maximal magnetic force is 3.5 times of rated lifting capacity.
 3. Handle switches with safety button, easy for Single-hand operation, more safety and convenience.
 4. "V" style design at the bottom of lifter, can lift round steel and steel plate.
 5. Without electricity, magnetic force permanent, more safety in using, and can be operated in the field

型号 Model	额定起重力 (kg) Rated Lifting Capacity		外形尺寸 (mm) Shape Size				试验最大拉脱力 (kg) Test Max Pull Off Force	重量 (kg) Weight
	钢板 Steel Plate	圆钢 Round Steel	L	B	H	R		
LS1-0.1	100	45	94	72	78	145	350	3.2
LS1-0.2	200	90	146	72	81	145	750	5.4
LS1-0.4	400	180	168	94	106	178	1250	11
LS1-0.6	600	270	218	116	116	225	2100	20
LS1-1	1000	450	272	145	145	295	3500	40
LS1-1.5	1500	675	342	145	145	295	5000	48
LS1-2	2000	900	388	160	170	365	6000	74
LS1-3	3000	1350	460	185	185	425	9000	105
LS1-5	5000	/	568	250	255	900	15000	248
LS1-10	10000	/	586	567	308	750	30000	750

注：以上产品规格和尺寸仅供参考，以本公司实际产品为准，变更时恕不另行通知

The above products specifications and dimensions are for reference only, shall be subject to the actual product by our company, are subject to change without prior notice